

**Weights**

Operating weight with cab and bucket (ISO 6016)	2705 kg
Transport mass (no attachment)	2571 kg
Weight reduction with canopy	-118 kg
Additional weight for long dipperstick	10 kg
Additional weight for heavy counterweight:	123 kg
Additional weight for steel tracks	130 kg
Ground pressure with rubber tracks	25.00 kPa

**Engine**

Make / model	Kubota / D1105-E4B (Stage V)
Fuel	Diesel
Number of cylinders	3
Displacement	1123 cm <sup>3</sup>
Maximum power @ 2400 rpm (ISO 14396)	15.4 kW
Maximum torque (SAE)	71.2 Nm

**Hydraulic System**

Pump type	Dual outlet variable displacement piston pump with gear pumps
Total hydraulic capacity	87.00 L/min
Auxiliary (AUX1) flow	50.00 L/min
Auxiliary (AUX2) flow	20.00 L/min
Auxiliary (AUX1) relief	180.00 bar
Auxiliary (AUX2) relief	179.00 bar

**Performance**

Digging force, dipperstick (ISO 6015)	16200 N
Digging force, long dipperstick (ISO 6015)	13470 N
Digging force, bucket (ISO 6015)	23720 N
Drawbar pull	29023 N
Travel speed, low range	2.5 km/h
Travel speed, high range	4.3 km/h

**Slew System**

Boom swing, left	70.0°
Boom swing, right	55.0°
Slew rate	9.3 RPM

**Fluid Capacities**

Fuel reservoir	34.40 L
Hydraulic reservoir	10.20 L

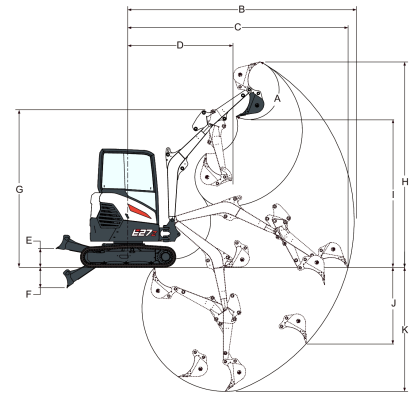
**Environmental**

Noise level LpA(EU Directive 2006/42/EC)	77 dB(A)
Noise level LWA(EU Directive 2000/14/EC)	93 dB(A)
Whole body vibration (ISO 2631-1)	0.18 ms <sup>-2</sup>
Hand-arm vibration (ISO 5349-1)	0.51 ms <sup>-2</sup>

**Standard Features**

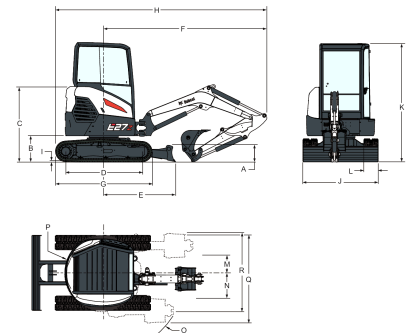
1550 mm dozer blade	Horn
300 mm rubber tracks	Machine IQ (telematic)
Adjustable double acting auxiliary hydraulic (AUX1) with Quick Couplers	Proportional fingertip auxiliary and boom swing offset hydraulic control
Battery disconnect switch	Retractable seat belt
Blade float feature	Suspension seat with high back
Clamp ready	Storage compartment
Control console locks	TOPS/ROPS/FOPS canopy * 1
Cupholder	Two-speed travel with Auto shift
Dual Direction Detent	Upper structure four-point tie down
Engine/hydraulic monitor with shutdown	Work light (boom)
Foldable and ergonomic travel pedals	Water separator
Full fuel warning alarm	Warranty: 24 months, 2000 hours (whichever occurs first)
Grease gun holder	

1. Roll Over Protective Structure (ROPS) – Meets requirements of ISO 3471. Tip Over Protective Structure (TOPS) – Meets requirements of ISO 12117. Falling Object Protective Structure (FOPS) - Meets requirements of ISO 3449.

**Working Range**


Values marked with \* - Long dipperstick

(A)	185.0°	(G)	3247.0 mm
(B)	4644.0 mm	(H)	4230.0 mm
(B*)	4931.0 mm	(H*)	4430.0 mm
(C)	4518.0 mm	(I)	3043.0 mm
(C*)	4814.0 mm	(I*)	3243.0 mm
(D)	2131.0 mm	(J)	1567.0 mm
(D*)	2135.0 mm	(J*)	1818.0 mm
(E)	385.0 mm	(K)	2547.0 mm
(F)	420.0 mm	(K*)	2847.0 mm

**Dimensions**


(A)	319.0 mm	(J)	1550.0 mm
(B)	539.0 mm	(K)	2438.0 mm
(C)	1540.0 mm	(L)	300.0 mm
(D)	1543.0 mm	(M)	565.0 mm
(E)	1462.0 mm	(N)	773.0 mm
(F)	3343.0 mm	(O)	1726.0 mm
(G)	1965.0 mm	(P)	785.0 mm
(H)	4325.0 mm	(Q)	1808.0 mm
(I)	21.0 mm	(R)	1599.0 mm

**Options**

Comfort package cab (Cloth susp. seat & Dix displ.)	Auto idle
A-SAC package (Tilt coupler lines, Dix displ.)	Keyless ignition
Object handling package (Valves, OWD, Liftye)	Travel motion alarm
TOPS/ROPS/FOPS cab	AM/FM MP3 radio
Long dipperstick	Additional halogen lights
Heavy counterweight	LED lights set
Steel tracks	Beacon
AUX1 direct return to tank	Special Application kit
AUX2 hydraulics	L/R mirrors
AUX1/AUX2/Drain on arm	Clamp w/ AUX1 valve
Bucket valves (AUX3) kit	Klacc D and MS03 coupler
Hydr. coupler lines (AUX5)	Bobcat hydr. pin grabber
Case drain line	